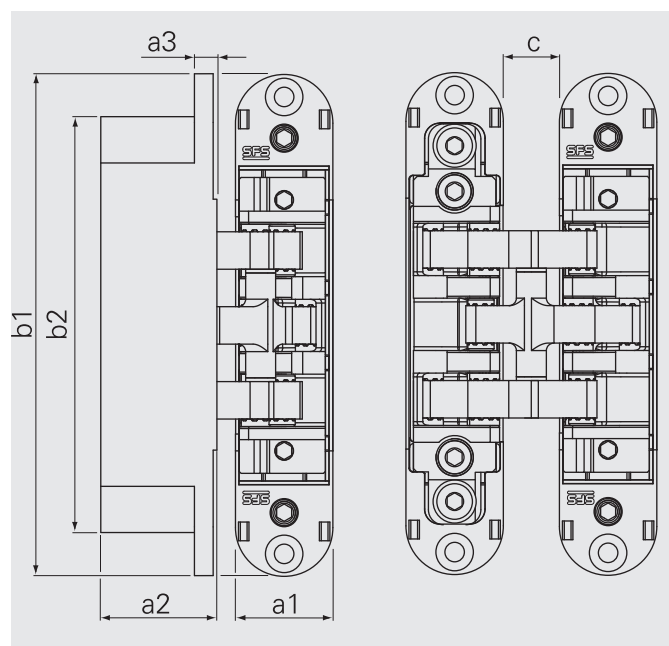


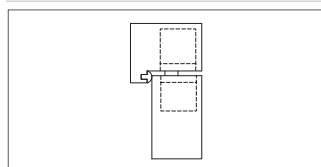
Technical data for hinge

W-Tec 3D+ 60

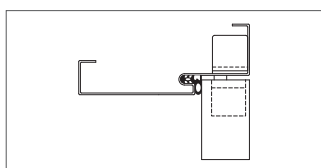
SFS intec



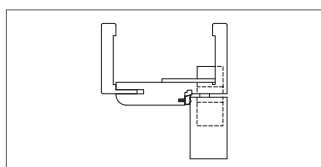
a1:	26,0 mm
a2:	31,0 mm
a3:	6,0 mm
b1:	134,0 mm
b2:	111,0 mm
c:	15,0 mm



Application solid timber



Application steel



Application cover frame

Test in accordance to RAL Norm

Load capacity 2 hinges 50 Kg.
Load capacity 3 hinges 60 Kg.

Material: Steel and Zamak

Surface treatment Zinc GSS
Zinc coated min.5 μ

Corrosion resistance in accordance to standard UNI EN 1670 min.310 hours

Product Management:

Signature:

Datum 22.04.2013

ISO 9001 : 2008 Quality Management System