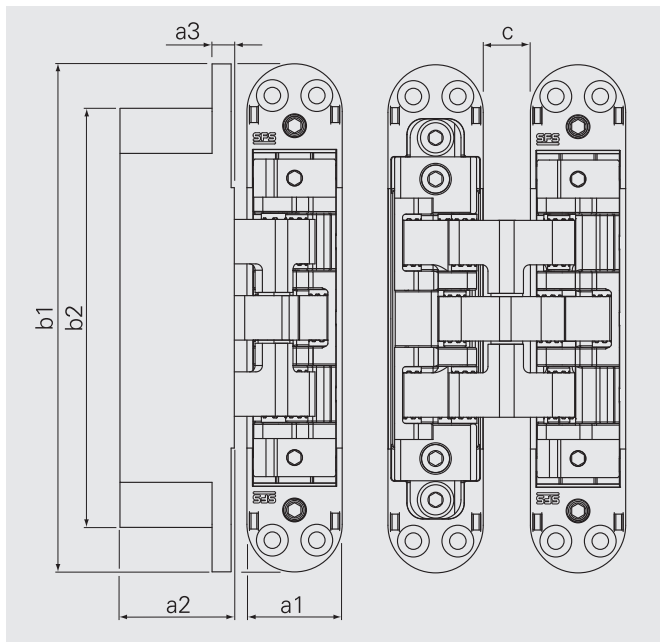
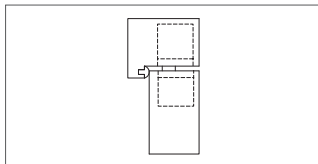


Technical data for hinge

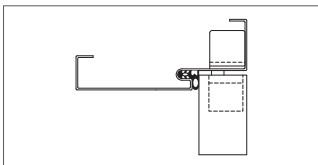
W-Tec 3D+ 160



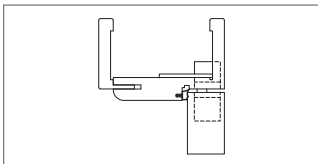
a1:	30,0 mm
a2:	36,0 mm
a3:	7,0 mm
b1:	160,0 mm
b2:	132,0 mm
c:	15,0 mm



Application solid timber



Application steel



Application cover frame

Material: Steel and Zamak

Surface treatment Zinc GSS
 Zinc coated min.5 μ

Corrosion resistance in accordance to standard UNI EN 1670 min.310 hours

Test in accordance to RAL Norm

Load capacity 2 hinges 140 Kg.
Load capacity 3 hinges 160 Kg.

Product Management:

Signature:

Date 07.06.2013

ISO 9001 : 2008 Quality Management System